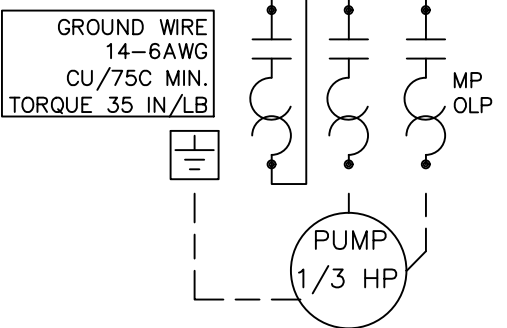


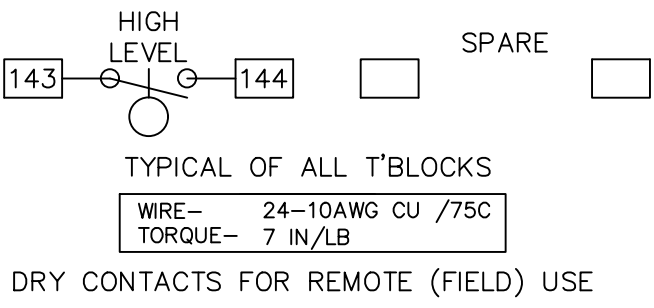
SERVICE ENTRANCE DISCONNECT AND SHORT CIRCUIT PROTECTION EQUIPMENT (BY OTHERS)
 115V-1PH-60HZ
 15A CB1
 N
 GROUND WIRE 14-6AWG CU/75C MIN. TORQUE 35 IN/LB



SCIENCO/FAST HORSEPOWER / FLA CHART

115V	HP	FLA
	1/3	7.2

UL TYPE 4X ENCLOSURE



3 LEVEL FLOAT SWITCH WIRING

FUNCTION	COLOR	CONNECTION TERMINALS
PUMP STOP (BOTTOM)	RED	TERMINALS 41 AND 42
PUMP START (MIDDLE)	YELLOW	TERMINALS 43 AND 44
HIGH LEVEL (TOP)	BLUE	TERMINALS 143 AND 144

ENCL	1	NEMA 4X, FIBERGLASS, LIVE FRONT ALLIED AM1206L + P1206
CB1	1	C-H QCR1015
MP	1	C-H XTCE009B10A
OLP	1	C-H XTOB010BC1
CR1	1	C-H D7PF4AA + D7PA4
ILSS1,2	2	IDEC ASLW39920DN-120V
TD1	1	TIMEMARK 365-H-1 SEC. + 11 PIN BASE



SCIENCO/FAST®

12977 MAURER INDUSTRIAL DRIVE
 SUNSET HILLS, MO 63127
 PHONE 314-756-9300 FAX 314-756-9306

THIS DRAWING AND INFORMATION CONTAINED THEREIN IS THE PROPERTY OF SCIENCO/FAST SYSTEMS AND IS LOANED WITH THE EXPRESSED AGREEMENT THAT IT WILL NOT BE REPRODUCED, COPIED, OR OTHERWISE DISTRIBUTED, DIRECTLY OR INDIRECTLY, AND WILL NOT BE USED IN WHOLE OR IN PART, TO FURNISH ANY INFORMATION FOR THE MANUFACTURING OF EQUIPMENT OR APPARATUS WITHOUT WRITTEN PERMISSION OF SCIENCO/FAST SYSTEMS FIRST OBTAINED AND SPECIFIC TO EACH CASE.

SYSTEM		
CUSTOMER		
TITLE CONTROLLER EFFLUENT PUMP 110/1/60 PAA/CL PUMP WITH TIMER		
DRAWN BY	REV. DATE	AS-BUILT DATE
INDQUIP		
MODEL NUMBER 91-600-120		SUBMITTAL DATE 8-22-17
PURCHASE ORDER NUMBER XXXXX		DRAWING NO. 91-600-120