

SERVICE ENTRANCE DISCONNECT AND SHORT CIRCUIT PROTECTION EQUIPMENT (BY OTHERS)

208/230V-1PH-60HZ

GROUND WIRE
14-6AWG
CU/75C MIN.
TORQUE 35 IN/LB

13A
CB1

GROUND WIRE
14-6AWG
CU/75C MIN.
TORQUE 35 IN/LB

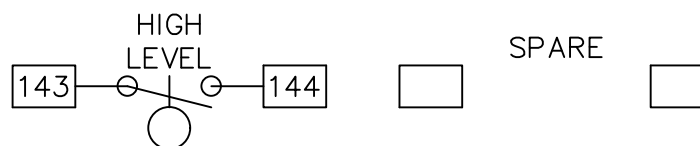
12AWG/B

MP
OLP

PUMP
1 HP

SCIENCO/FAST
VOLTAGE / HORSEPOWER / FLA

208V	1 HP	6.6, 7.2 FLA
230V	1 HP	6.4, 6.9 FLA



TYPICAL OF ALL T'BLOCKS

WIRE- 24-10AWG CU /75C
TORQUE- 7 IN/LB

DRY CONTACTS FOR REMOTE (FIELD) USE

ENCL	1	NEMA 4X, FIBERGLASS, LIVE FRONT SAGINAW	SCE-1212CHQRFG
CB1	1	SAGINAW	SCE-12P12AL
MP	1	C-H	FAZ-C13/2-NA
OLP	1	C-H	XTCE007B10A
CR1	1	IDEC	RH4B-ULAC120V + SH4B-05
ILSS1,2	2	IDEC	ASLW39920D-G-120V
TD1	1	TIMEMARK	365-H-1 SEC. + 11 PIN BASE



SCIENCO/FAST[®]

12977 MAURER INDUSTRIAL DRIVE
SUNSET HILLS, MO 63127

PHONE 314-756-9300 FAX 314-756-9306

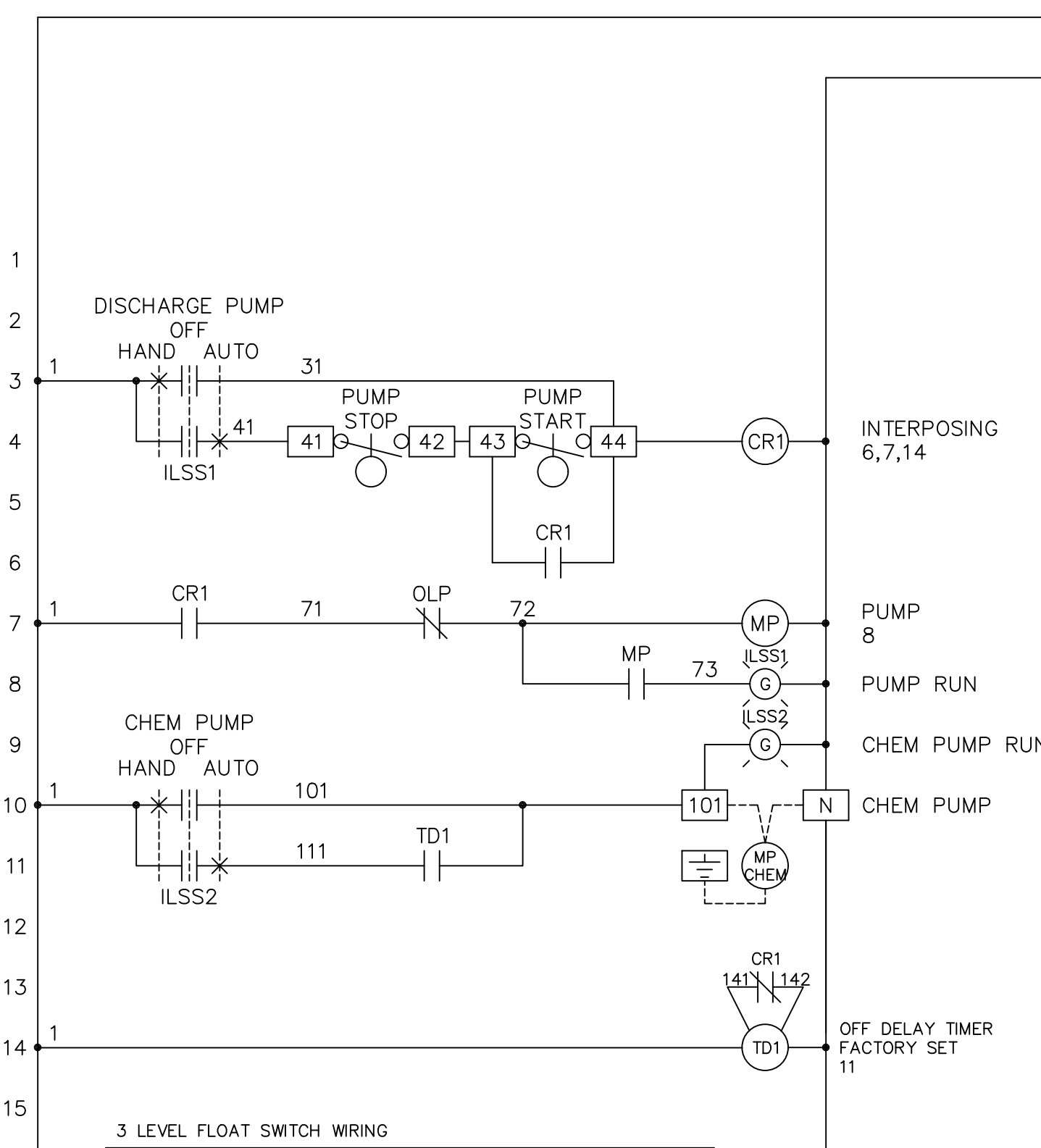
THIS DRAWING AND INFORMATION CONTAINED THEREIN IS THE PROPERTY OF SCIENCO/FAST SYSTEMS AND IS LOANED WITH THE EXPRESSED AGREEMENT THAT IT WILL NOT BE REPRODUCED, COPIED, OR OTHERWISE DISTRIBUTED, DIRECTLY OR INDIRECTLY, AND WILL NOT BE USED IN WHOLE OR IN PART, TO FURNISH ANY INFORMATION FOR THE MANUFACTURING OF EQUIPMENT OR APPARATUS WITHOUT WRITTEN PERMISSION OF SCIENCO/FAST SYSTEMS FIRST OBTAINED AND SPECIFIC TO EACH CASE.

SYSTEM

CUSTOMER

TITLE
CONTROLLER DISCHARGE PUMP 208/230/1/60
CHEMICAL INJECTION PUMP WITH TIMER

DRAWN BY	REV. DATE	SUBMITTAL
INDQUIP	XXXXXXXX	6-8-20
MODEL NUMBER	AS-BUILT DATE	
91-600-138H	12-7-20	
PURCHASE ORDER NUMBER	DRAWING NO.	
XXXXXX	91-600-138H	



3 LEVEL FLOAT SWITCH WIRING

FUNCTION	COLOR	CONNECTION TERMINALS
PUMP STOP (BOTTOM)	RED	TERMINALS 41 AND 42
PUMP START (MIDDLE)	YELLOW	TERMINALS 43 AND 44
HIGH LEVEL (TOP)	BLUE	TERMINALS 143 AND 144