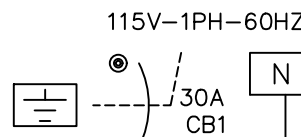


SERVICE ENTRANCE DISCONNECT AND SHORT CIRCUIT PROTECTION EQUIPMENT (BY OTHERS)

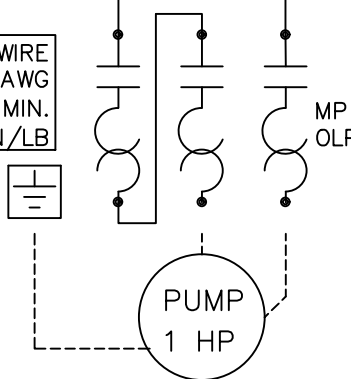
115V-1PH-60HZ

GROUND WIRE
14-6AWG
CU/75C MIN.
TORQUE 35 IN/LB



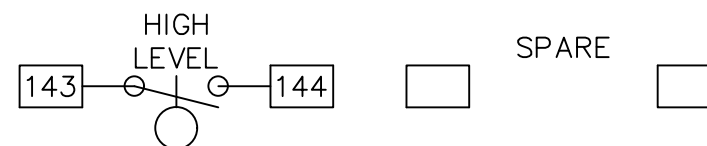
12AWG/B

GROUND WIRE
14-6AWG
CU/75C MIN.
TORQUE 35 IN/LB



SCIENCO/FAST
VOLTAGE / HORSEPOWER / FLA

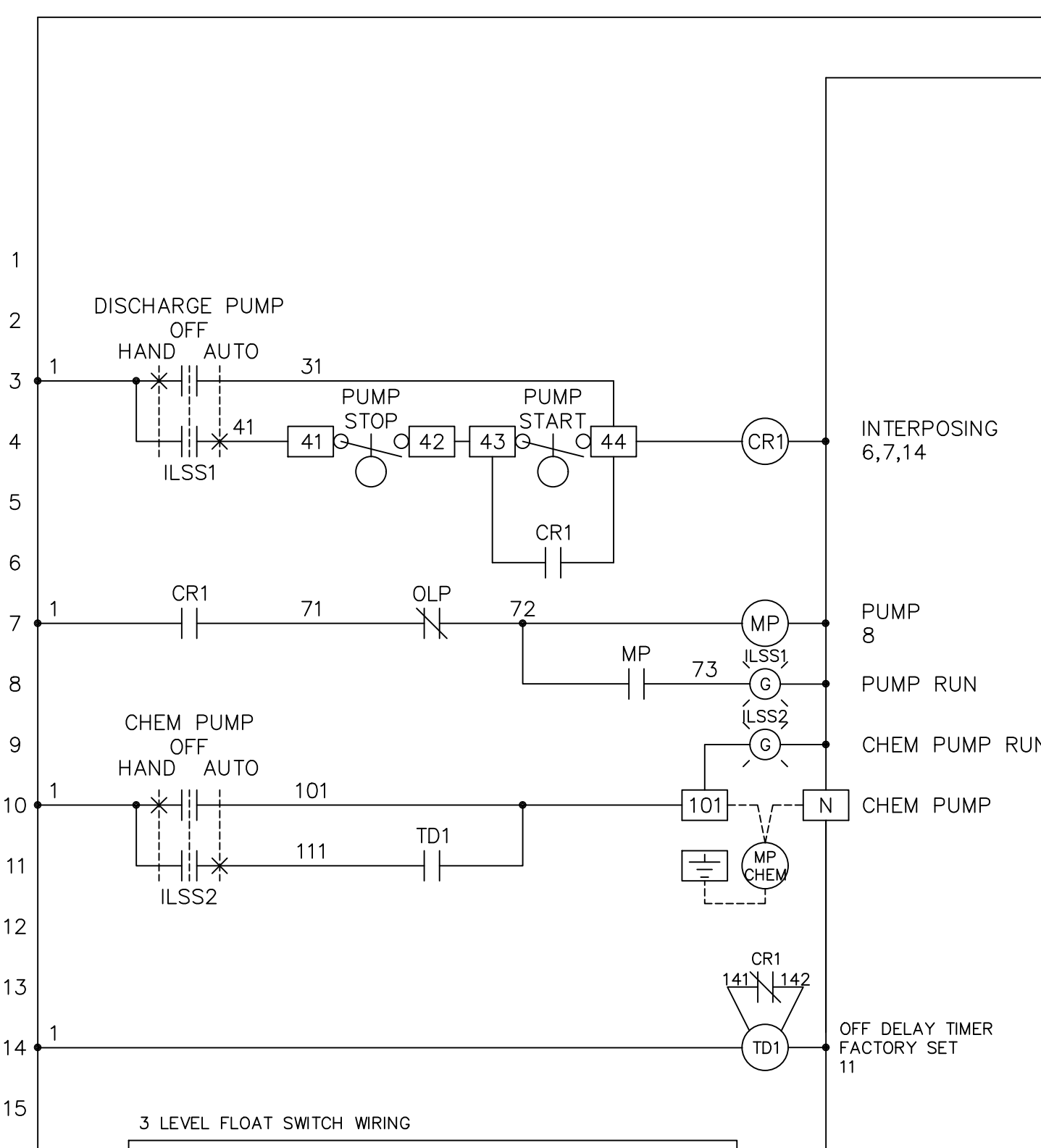
115V	1 HP	14 FLA
------	------	--------



TYPICAL OF ALL T'BLOCKS

WIRE- 24-10AWG CU /75C
TORQUE- 7 IN/LB

DRY CONTACTS FOR REMOTE (FIELD) USE



3 LEVEL FLOAT SWITCH WIRING

FUNCTION	COLOR	CONNECTION TERMINALS
PUMP STOP (BOTTOM)	RED	TERMINALS 41 AND 42
PUMP START (MIDDLE)	YELLOW	TERMINALS 43 AND 44
HIGH LEVEL (TOP)	BLUE	TERMINALS 143 AND 144

ENCL	1	NEMA 4X, FIBERGLASS, LIVE FRONT
		SAGINAW SCE-1212CHQRFG
	1	SAGINAW SCE-12P12AL
CB1	1	C-H QCR1030
MP	1	C-H XTCE007B10A
OLP	1	C-H XTOE020BCS
CR1	1	IDEC RH4B-ULAC120V + SH4B-05
ILSS1,2	2	IDEC ASLW39920D-G-120V
TD1	1	TIMEMARK 365-H-1 SEC. + 11 PIN BASE



SCIENCO/FAST[®]

12977 MAURER INDUSTRIAL DRIVE
SUNSET HILLS, MO 63127

PHONE 314-756-9300 FAX 314-756-9306

THIS DRAWING AND INFORMATION CONTAINED THEREIN IS THE PROPERTY OF SCIENCO/FAST SYSTEMS AND IS LOANED WITH THE EXPRESSED AGREEMENT THAT IT WILL NOT BE REPRODUCED, COPIED, OR OTHERWISE DISTRIBUTED, DIRECTLY OR INDIRECTLY, AND WILL NOT BE USED IN WHOLE OR IN PART, TO FURNISH ANY INFORMATION FOR THE MANUFACTURING OF EQUIPMENT OR APPARATUS WITHOUT WRITTEN PERMISSION OF SCIENCO/FAST SYSTEMS FIRST OBTAINED AND SPECIFIC TO EACH CASE.

SYSTEM		
CUSTOMER		
TITLE CONTROLLER DISCHARGE PUMP 110/1/60 CHEMICAL INJECTION PUMP WITH TIMER		
DRAWN BY	REV. DATE	AS-BUILT
INDQUIP	XXXXXXXX	7-13-20
MODEL NUMBER		SUBMITTAL DATE
91-600-138L		XX-XX-XX
PURCHASE ORDER NUMBER		DRAWING NO.
XXXXXX		91-600-138L