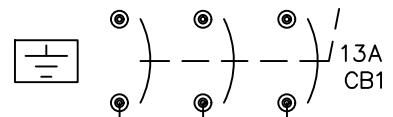


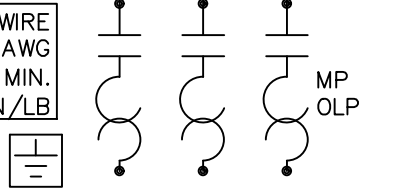
SERVICE ENTRANCE DISCONNECT AND  
SHORT CIRCUIT PROTECTION EQUIPMENT  
(BY OTHERS)

208V/230V-3PH-60HZ

GROUND WIRE  
14-6AWG  
CU/75C MIN.  
TORQUE 35 IN/LB

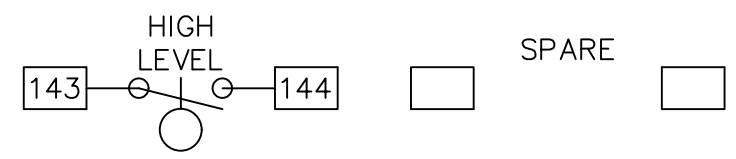


GROUND WIRE  
14-6AWG  
CU/75C MIN.  
TORQUE 35 IN/LB



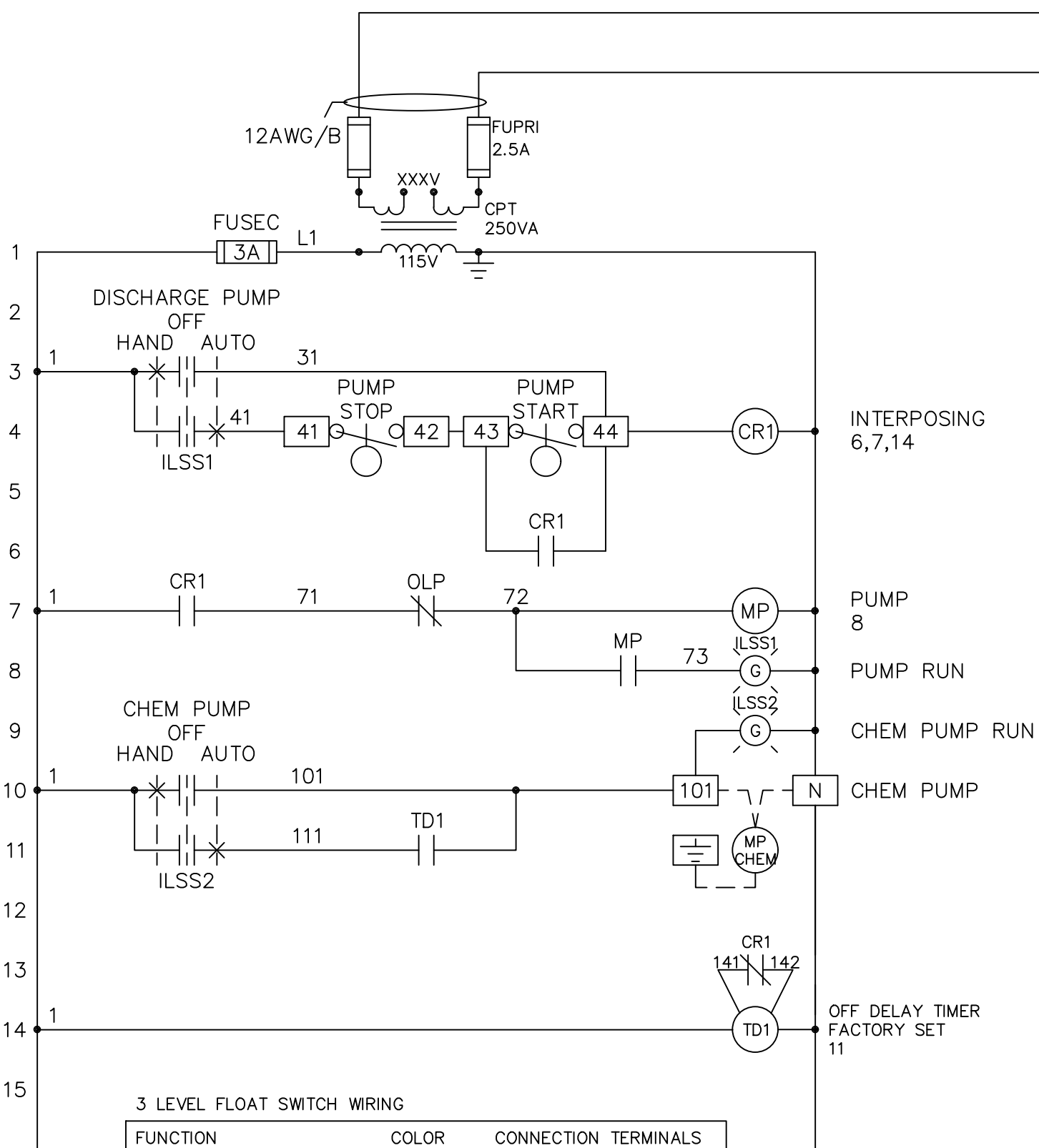
SCIENCO/FAST  
VOLTAGE / HORSEPOWER / FLA

208V	2 HP	6.9 FLA
230V	2 HP	6.6 FLA



TYPICAL OF ALL T'BLOCKS  
WIRE- 24-10AWG CU /75C  
TORQUE- 7 IN/LB

DRY CONTACTS FOR REMOTE (FIELD) USE



3 LEVEL FLOAT SWITCH WIRING

FUNCTION	COLOR	CONNECTION TERMINALS
PUMP STOP (BOTTOM)	RED	TERMINALS 41 AND 42
PUMP START (MIDDLE)	YELLOW	TERMINALS 43 AND 44
HIGH LEVEL (TOP)	BLUE	TERMINALS 143 AND 144

ENCL	1	SAGINAW	SCE-18169CHQRFG	NEMA 4X, FIBERGLASS, LIVE FRONT
	1	SAGINAW	SCE-18P16AL	
CB1	1	C-H	FAZ-C13/3-NA	
CPT	1	HAMMOND	PH250MLI	
FUPRI	2	FERRAZ	ATQR 2.5	
CLIP	1	FERRAZ	30322R + 30321	
FUSEC	1	FERRAZ	TRM 3	
MP	1	C-H	XTCE007B10A	
OLP	1	C-H	XTOE020BCS	
CR1	1	IDEC	RH4B-ULAC120V + SH4B-05	
ILSS1,2	2	IDEC	ASLW39920D-G-120V	
TD1	1	TIMEMARK	365-H-1 SEC. + 11 PIN BASE	



**SCIENCO/FAST**<sup>®</sup>

12977 MAURER INDUSTRIAL DRIVE  
SUNSET HILLS, MO 63127  
PHONE 314-756-9300 FAX 314-756-9306

THIS DRAWING AND INFORMATION CONTAINED THEREIN IS THE PROPERTY OF SCIENCO/FAST SYSTEMS AND IS LOANED WITH THE EXPRESSED AGREEMENT THAT IT WILL NOT BE REPRODUCED, COPIED, OR OTHERWISE DISTRIBUTED, DIRECTLY OR INDIRECTLY, AND WILL NOT BE USED IN WHOLE OR IN PART, TO FURNISH ANY INFORMATION FOR THE MANUFACTURING OF EQUIPMENT OR APPARATUS WITHOUT WRITTEN PERMISSION OF SCIENCO/FAST SYSTEMS FIRST OBTAINED AND SPECIFIC TO EACH CASE.

CONTROLLER DISCHARGE PUMP CHEMICAL INJECTION  
PUMP WITH TIMER 2 HP 208/230V

DRAWN BY	REV. DATE	SUBMITTAL
INDQUIP	XXXXXXX	6-8-20
MODEL NUMBER	SUBMITTAL DATE	
91-600-140	XX-XX-XX	
PURCHASE ORDER NUMBER	DRAWING NO.	
XXXX	91-600-140	