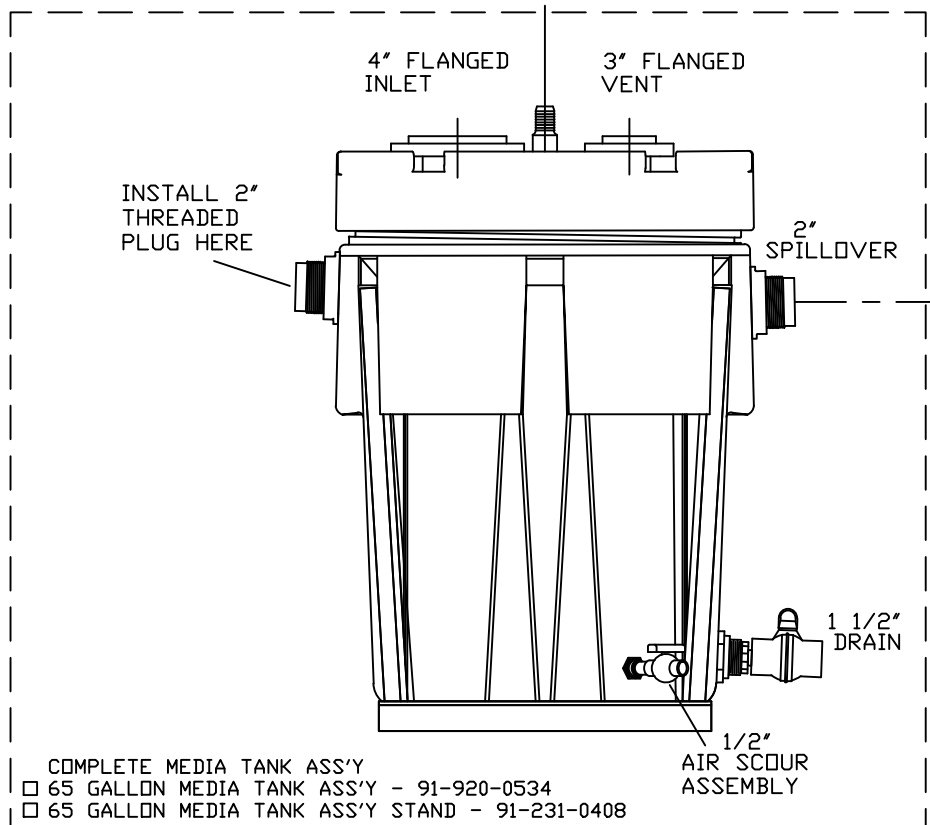
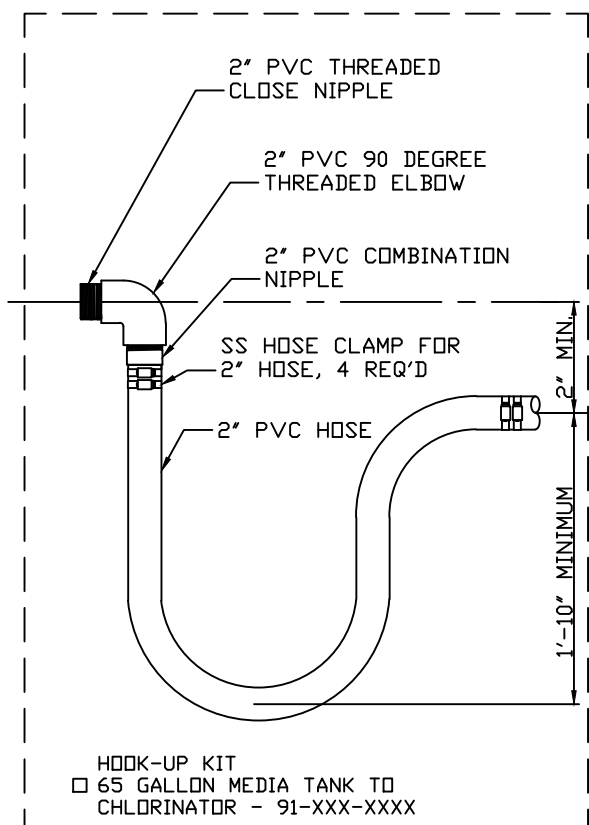


- COMPLETE BLOWER ASS'Y
- RBH2, SINGLE PHASE - 91-920-0680
 - MOTOR STARTER FOR 115, 1 ϕ VOLT OPER. - 91-990-100
 - MOTOR STARTER FOR 208-230, 1 ϕ VOLT OPER. - 91-990-101
 - RBH2, THREE PHASE - 91-920-0681
 - MOTOR STARTER FOR 208-230, 3 ϕ VOLT OPER. - 91-990-101
 - MOTOR STARTER FOR 460 VOLT, 3 ϕ OPER. - 91-990-103

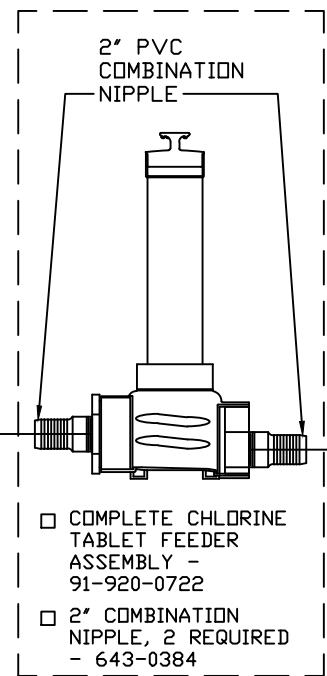
SEE PAGE 2 OF 5 FOR BILL OF MATERIALS AND PART NUMBERS.



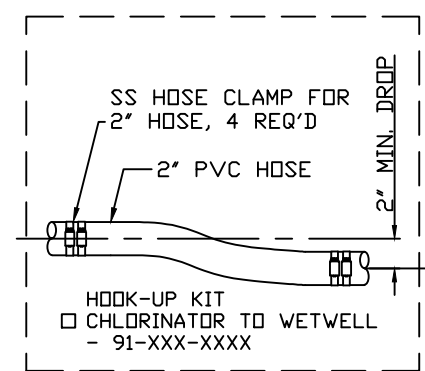
- COMPLETE MEDIA TANK ASS'Y
- 65 GALLON MEDIA TANK ASS'Y - 91-920-0534
 - 65 GALLON MEDIA TANK ASS'Y STAND - 91-231-0408



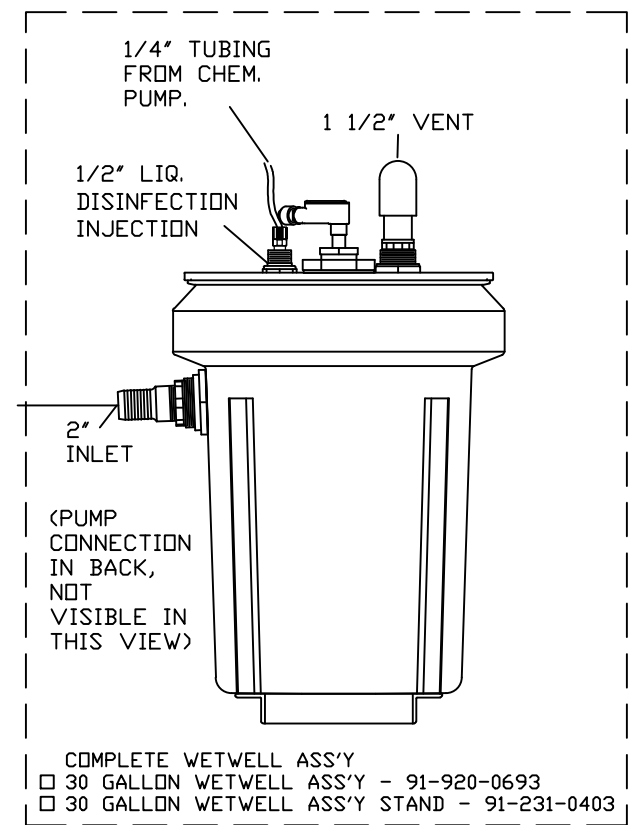
- HOOK-UP KIT
- 65 GALLON MEDIA TANK TO CHLORINATOR - 91-XXX-XXXX



- COMPLETE CHLORINE TABLET FEEDER ASSEMBLY - 91-920-0722
- 2" COMBINATION NIPPLE, 2 REQUIRED - 643-0384



- HOOK-UP KIT
- CHLORINATOR TO WETWELL - 91-XXX-XXXX



- COMPLETE WETWELL ASS'Y
- 30 GALLON WETWELL ASS'Y - 91-920-0693
 - 30 GALLON WETWELL ASS'Y STAND - 91-231-0403

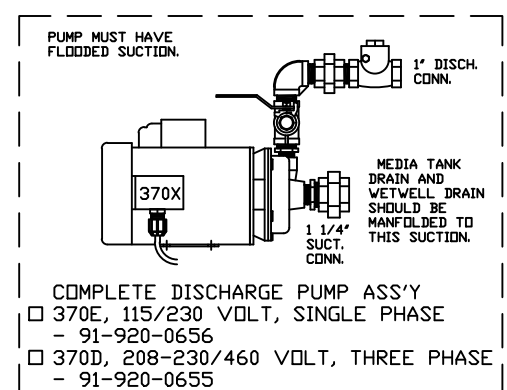
SEE PIPING SCHEMATIC AND INSTALLATION REQUIREMENTS TO ASSURE PROPER OPERATION.

USE A HEAT GUN AND DISH SOAP TO INSTALL PVC HOSE ONTO COMBINATION NIPPLES.


HOOK-UP KITS MAY BE SHIPPED LOOSE AS UNASSEMBLED COMPONENTS.

CONTROL CABINET IS NOT SHOWN ON THIS DRAWING.

----- SCIENCO/FAST SUPPLIED COMPONENTS



- COMPLETE DISCHARGE PUMP ASS'Y
- 370E, 115/230 VOLT, SINGLE PHASE - 91-920-0656
 - 370D, 208-230/460 VOLT, THREE PHASE - 91-920-0655

REV	DESCRIPTION	BY	DATE
 SCIENCO/FAST® 200 SUN VALLEY CIRCLE FENTON, MO. 63026-4691 U.S.A. PHONE: 314-756-9300 FAX: 314-756-9306			
<small>THIS DRAWING AND INFORMATION CONTAINED THEREIN IS THE PROPERTY OF SCIENCO/FAST SYSTEMS AND IS LOANED WITH THE EXPRESSED AGREEMENT THAT IT WILL NOT BE REPRODUCED, COPIED, OR OTHERWISE DISTRIBUTED, DIRECTLY OR INDIRECTLY, AND WILL NOT BE USED IN WHOLE OR IN PART, TO FURNISH ANY INFORMATION FOR THE MANUFACTURING OF EQUIPMENT OR APPARATUS WITHOUT WRITTEN PERMISSION OF SCIENCO/FAST SYSTEMS FIRST OBTAINED AND SPECIFIC TO EACH CASE.</small>			
SYSTEM		SCIENCO/FAST MARINE/FAST	
CUSTOMER		CUSTOMER NAME HERE	
TITLE			
L1X SYSTEM DRAWING COMPONENT ARRANGEMENT			
SCALE	1"=1'-0"	DRAWN	SC
SIZE	N/A	CHECKED	SC
CONTRACT NO.	MODEL NO.	APPROVED	N/A
		DATE	1/2024
		PLOT SCALE	1:1
		SHEET NO.	1 OF 5
		DRAWING NO.	MASTER CU101
		REV	