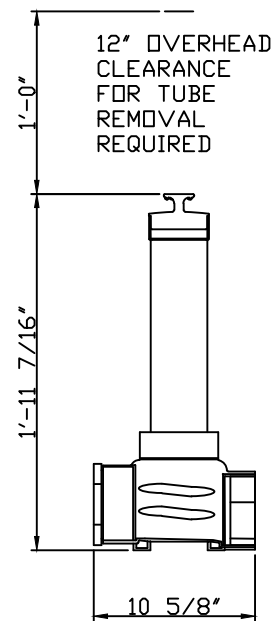


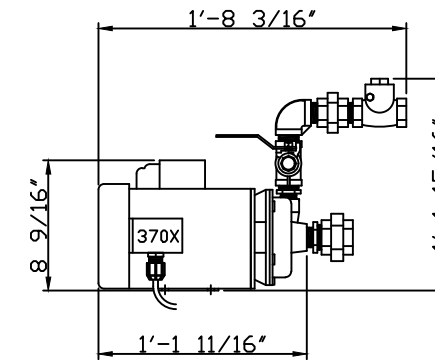
COMPLETE BLOWER ASS'Y  
 RBH2, SINGLE PHASE - 91-920-0680  
 RBH2, THREE PHASE - 91-920-0681



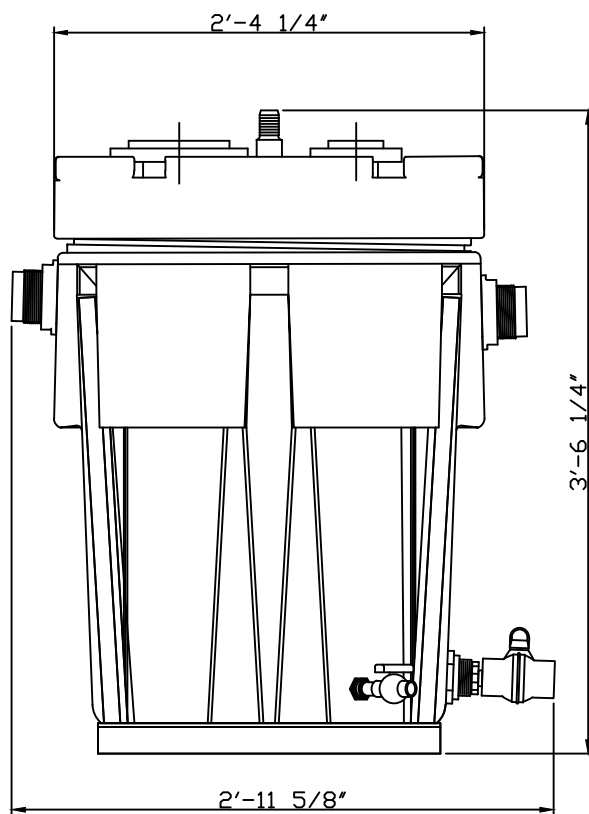
COMPLETE CHLORINE  
 TABLET FEEDER  
 ASSEMBLY - 91-920-0722

SINGLE PHASE DISCHARGE PUMP CONTROL CABINET  
 DIMENSIONS APPROX. - 10" TALL X 10" WIDE X 6" DEEP.  
 WEIGHT APPROX. 5 LBS.

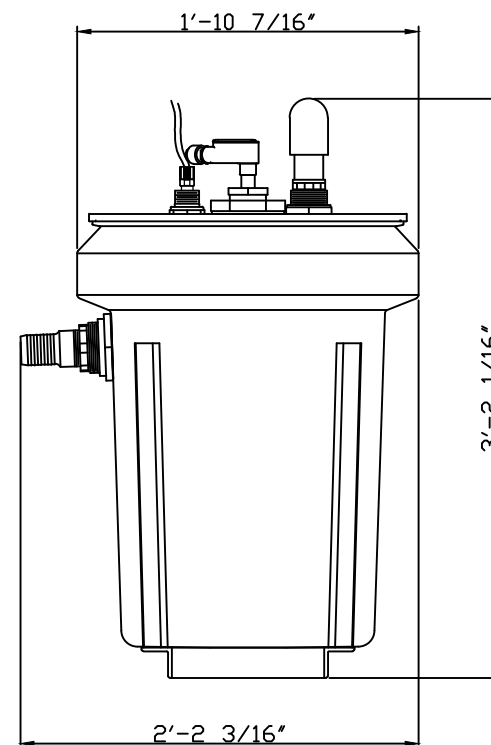
THREE PHASE DISCHARGE PUMP CONTROL CABINET  
 DIMENSIONS APPROX. - 14" TALL X 14" WIDE X 8" DEEP.  
 WEIGHT APPROX. 13 LBS.




COMPLETE DISCHARGE PUMP ASS'Y  
 370E, 115/230 VOLT, SINGLE PHASE  
 - 91-920-0656  
 370D, 208-230/460 VOLT, THREE PHASE  
 - 91-920-0655



COMPLETE MEDIA TANK ASS'Y  
 65 GALLON MEDIA TANK ASS'Y - 91-920-0534  
 65 GALLON MEDIA TANK ASS'Y STAND - 91-231-0408



COMPLETE WETWELL ASS'Y  
 30 GALLON WETWELL ASS'Y - 91-920-0693  
 30 GALLON WETWELL ASS'Y STAND - 91-231-0403

REV	DESCRIPTION	BY	DATE
 <b>SCIENCO/FAST®</b> 200 SUN VALLEY CIRCLE FENTON, MO. 63026-4691 U.S.A. PHONE: 314-756-9300 FAX: 314-756-9306			
<small>THIS DRAWING AND INFORMATION CONTAINED THEREIN IS THE PROPERTY OF SCIENCO/FAST SYSTEMS AND IS LOANED WITH THE EXPRESSED AGREEMENT THAT IT WILL NOT BE REPRODUCED, COPIED, OR OTHERWISE DISTRIBUTED, DIRECTLY OR INDIRECTLY, AND WILL NOT BE USED IN WHOLE OR IN PART, TO FURNISH ANY INFORMATION FOR THE MANUFACTURING OF EQUIPMENT OR APPARATUS WITHOUT WRITTEN PERMISSION OF SCIENCO/FAST SYSTEMS FIRST OBTAINED AND SPECIFIC TO EACH CASE.</small>			
SYSTEM		SCIENCO/FAST MARINE/FAST	
CUSTOMER		CUSTOMER NAME HERE	
TITLE			
<b>L1X SYSTEM DRAWING            WEIGHTS AND DIMENSIONS</b>			
SCALE	1"=1'-0"	DRAWN	SC
CHECKED	SC	APPROVED	N/A
SIZE	N/A	PREV. ASSY.	N/A
NEXT ASSY.	N/A	PLOT SCALE	1:1
DATE			1/2024
CONTRACT NO.	MODEL NO.	DRAWING NO.	SHEET NO.
	MASTER	CU105	5 of 5
			REV