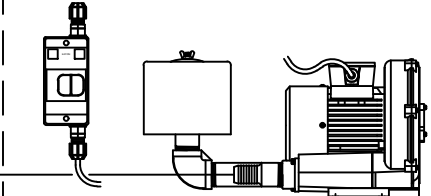


HOOK-UP KIT  
 BLOWER TO MEDIA TANK - 91-XXX-XXXX

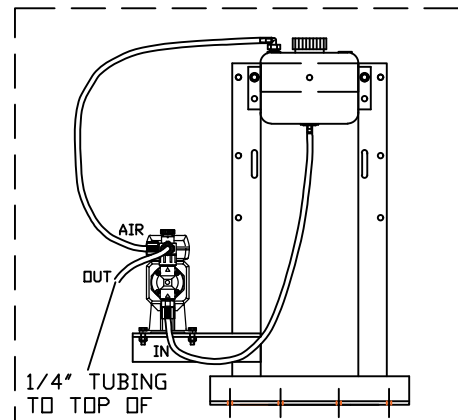
1 1/4" EPDM HOSE

SS HOSE CLAMP FOR 1 1/4" HOSE, 4 REQ'D

BLOWER MUST BE ABOVE LIQUID LEVEL IN MEDIA TANK



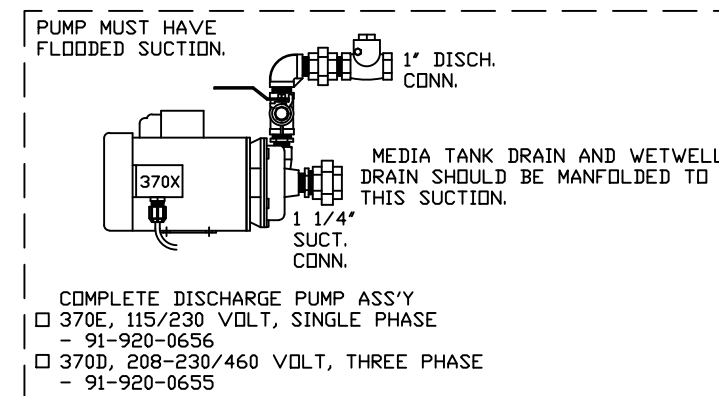
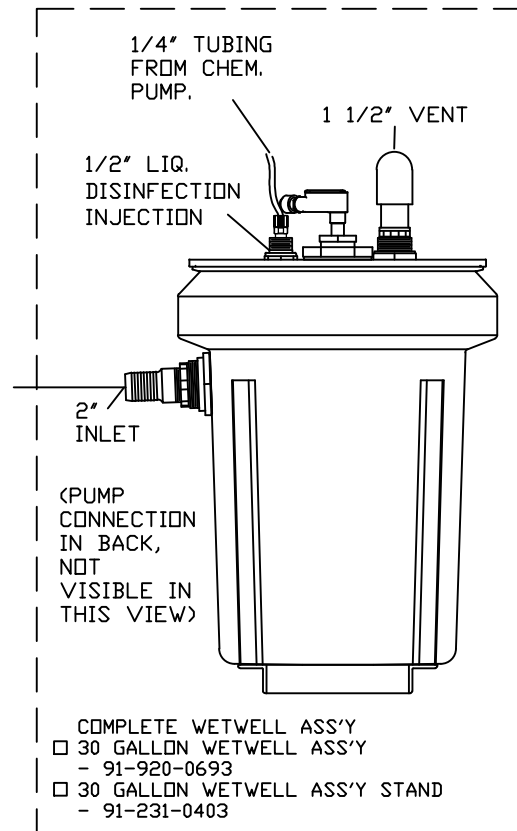
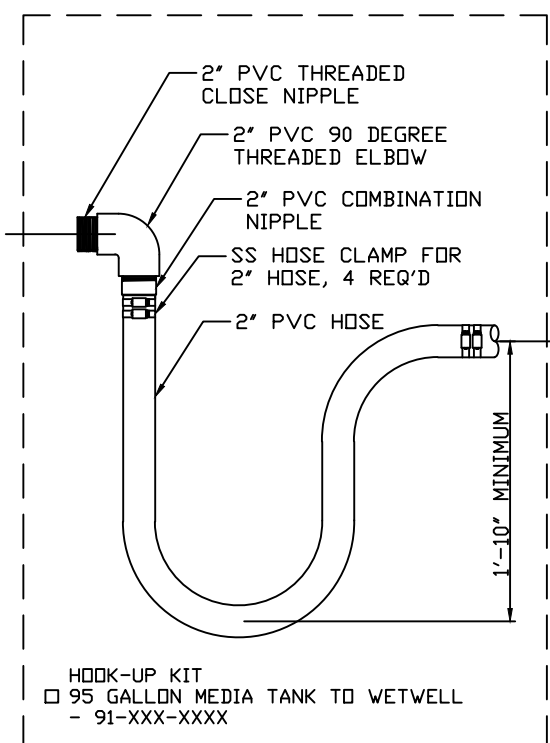
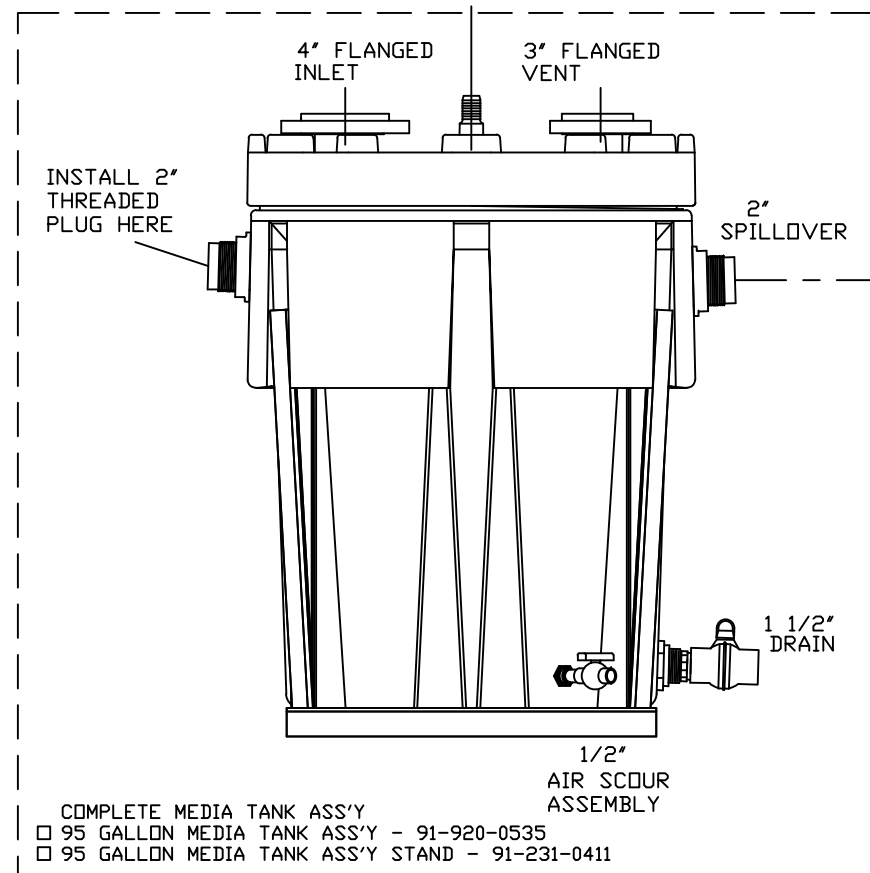
COMPLETE BLOWER ASS'Y  
 RBH2, SINGLE PHASE - 91-920-0680  
 MOTOR STARTER FOR 115, 1φ VOLT OPER. - 91-990-100  
 MOTOR STARTER FOR 208-230, 1φ VOLT OPER. - 91-990-101  
 RBH2, THREE PHASE - 91-920-0681  
 MOTOR STARTER FOR 208-230, 3φ VOLT OPER. - 91-990-101  
 MOTOR STARTER FOR 460 VOLT, 3φ OPER. - 91-990-103



1/4" TUBING TO TOP OF WETWELL.

COMPLETE CHEMICAL PUMP ASS'Y  
 2 QUART TANK AND CHEMICAL PUMP ASS'Y - 91-920-0584

SEE PAGE 2 OF 5 FOR BILL OF MATERIALS AND PART NUMBERS.




SEE PIPING SCHEMATIC AND INSTALLATION REQUIREMENTS TO ASSURE PROPER OPERATION.

USE A HEAT GUN AND DISH SOAP TO INSTALL PVC HOSE ONTO COMBINATION NIPPLES.

HOOK-UP KITS MAY BE SHIPPED LOOSE AS UNASSEMBLED COMPONENTS.

CONTROL CABINET IS NOT SHOWN ON THIS DRAWING.

----- SCIENCO/FAST SUPPLIED COMPONENTS

REV	DESCRIPTION	BY	DATE
 <b>SCIENCO/FAST®</b> 200 SUN VALLEY CIRCLE FENTON, MO. 63026-4691 U.S.A. PHONE: 314-756-9300    FAX: 314-756-9306			
<small>THIS DRAWING AND INFORMATION CONTAINED THEREIN IS THE PROPERTY OF SCIENCO/FAST SYSTEMS AND IS LOANED WITH THE EXPRESSED AGREEMENT THAT IT WILL NOT BE REPRODUCED, COPIED, OR OTHERWISE DISTRIBUTED, DIRECTLY OR INDIRECTLY, AND WILL NOT BE USED IN WHOLE OR IN PART, TO FURNISH ANY INFORMATION FOR THE MANUFACTURING OF EQUIPMENT OR APPARATUS WITHOUT WRITTEN PERMISSION OF SCIENCO/FAST SYSTEMS FIRST OBTAINED AND SPECIFIC TO EACH CASE.</small>			
SYSTEM		SCIENCO/FAST MARINE/FAST	
CUSTOMER		CUSTOMER NAME HERE	
TITLE <b>L2XM SYSTEM DRAWING            COMPONENT ARRANGEMENT</b>			
SCALE	1"=1'-0"	DRAWN	SC
CHECKED	SC	APPROVED	N/A
SIZE	NEXT ASSY.	PREV. ASSY.	PLOT SCALE
B	N/A	N/A	1:1
DATE	1/2024		SHEET NO.
CONTRACT NO.		MODEL NO.	DRAWING NO.
		MASTER	CU101
		1 of 5	