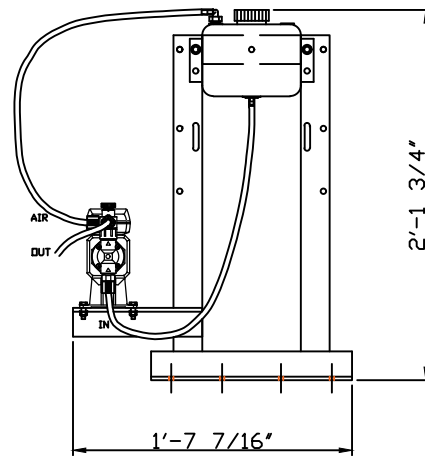
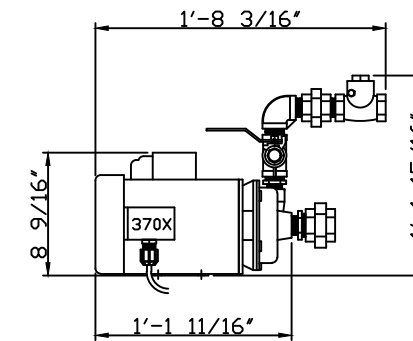


COMPLETE BLOWER ASS'Y  
 RBH2, SINGLE PHASE - 91-920-0680  
 RBH2, THREE PHASE - 91-920-0681

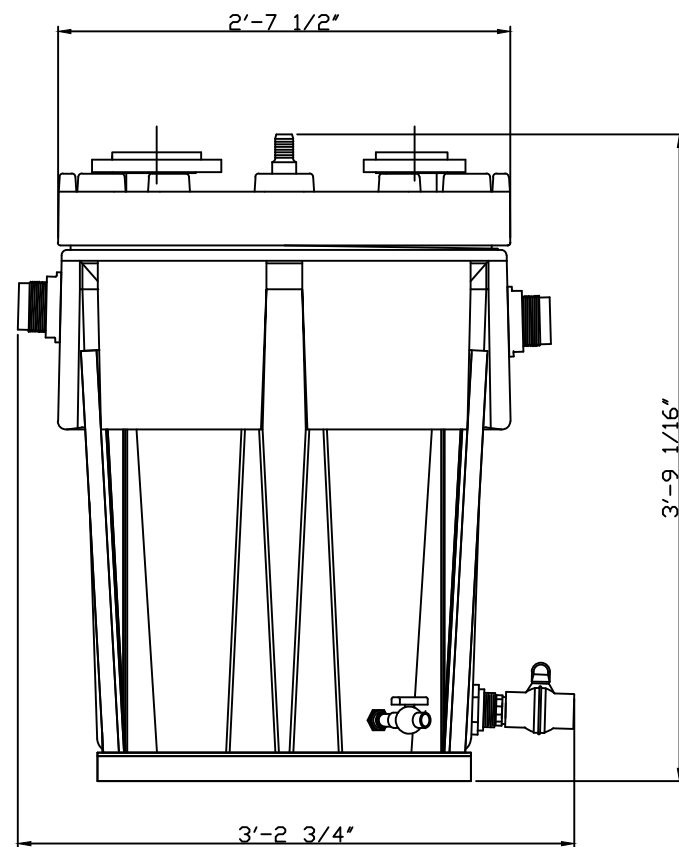


COMPLETE CHEMICAL PUMP ASS'Y  
 2 QUART TANK AND CHEMICAL PUMP  
 ASS'Y - 91-920-0584

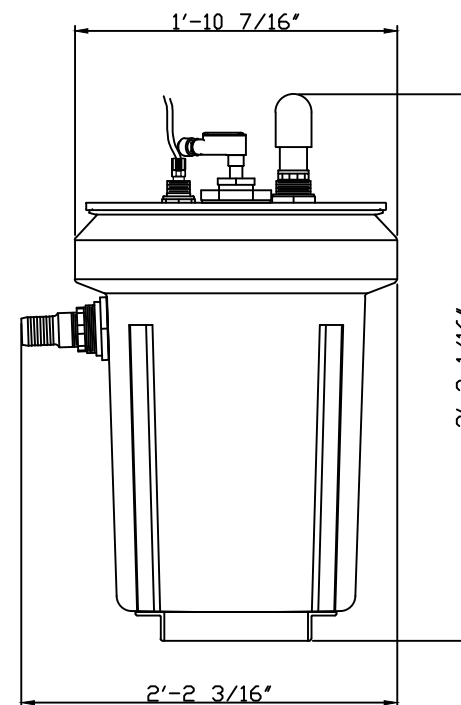
CONTROL CABINET  
 DIMENSIONS APPROX. - 13 1/2" TALL X 13 1/2" WIDE  
 X 7" DEEP  
 WEIGHT APPROX. 15 LBS.




COMPLETE DISCHARGE PUMP ASS'Y  
 370E, 115/230 VOLT, SINGLE PHASE - 91-920-0656  
 370D, 208-230/460 VOLT, THREE PHASE - 91-920-0655



COMPLETE MEDIA TANK ASS'Y  
 95 GALLON MEDIA TANK ASS'Y - 91-920-0535  
 95 GALLON MEDIA TANK ASS'Y STAND - 91-231-0411



COMPLETE WETWELL ASS'Y  
 30 GALLON WETWELL ASS'Y - 91-920-0693  
 30 GALLON WETWELL ASS'Y STAND - 91-231-0403

REV	DESCRIPTION	BY	DATE
 <b>SCIENCO/FAST®</b> 200 SUN VALLEY CIRCLE FENTON, MO. 63026-4691 U.S.A. PHONE: 314-756-9300 FAX: 314-756-9306			
<small>THIS DRAWING AND INFORMATION CONTAINED THEREIN IS THE PROPERTY OF SCIENCO/FAST SYSTEMS AND IS LOANED WITH THE EXPRESSED AGREEMENT THAT IT WILL NOT BE REPRODUCED, COPIED, OR OTHERWISE DISTRIBUTED, DIRECTLY OR INDIRECTLY, AND WILL NOT BE USED IN WHOLE OR IN PART, TO FURNISH ANY INFORMATION FOR THE MANUFACTURING OF EQUIPMENT OR APPARATUS WITHOUT WRITTEN PERMISSION OF SCIENCO/FAST SYSTEMS FIRST OBTAINED AND SPECIFIC TO EACH CASE.</small>			
SYSTEM		SCIENCO/FAST MARINE/FAST	
CUSTOMER		CUSTOMER NAME HERE	
TITLE			
<b>L2XM SYSTEM DRAWING            WEIGHT AND DIMENSIONS</b>			
SCALE	DRAWN	CHECKED	APPROVED
1"=1'-0"	SC	SC	N/A
SIZE	PREV. ASSY.	PLOT SCALE	DATE
B	N/A	1:1	1/2024
CONTRACT NO.	MODEL NO.	DRAWING NO.	SHEET NO. REV
	MASTER	CU105	5 of 5