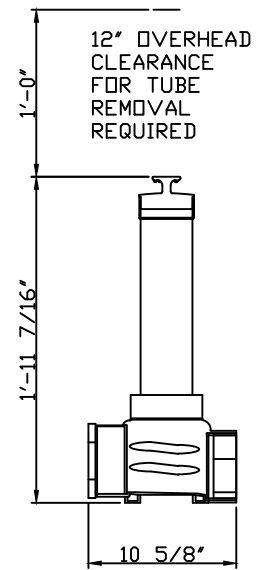
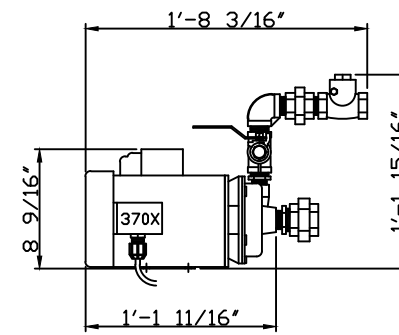


COMPLETE BLOWER ASS'Y  
 RBH2, SINGLE PHASE - 91-920-0680  
 RBH2, THREE PHASE - 91-920-0681

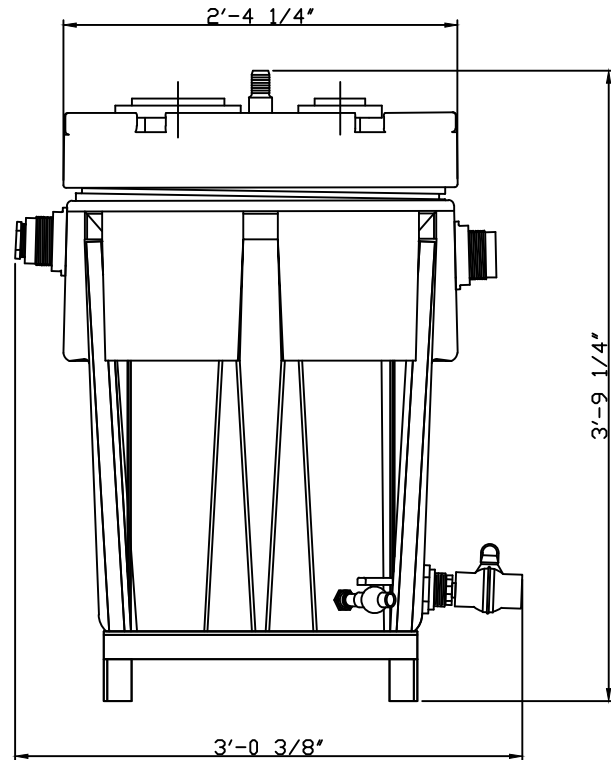


SINGLE PHASE DISCHARGE PUMP CONTROL CABINET  
 DIMENSIONS APPROX. - 10" TALL X 10" WIDE X 6" DEEP.  
 WEIGHT APPROX. 5 LBS.

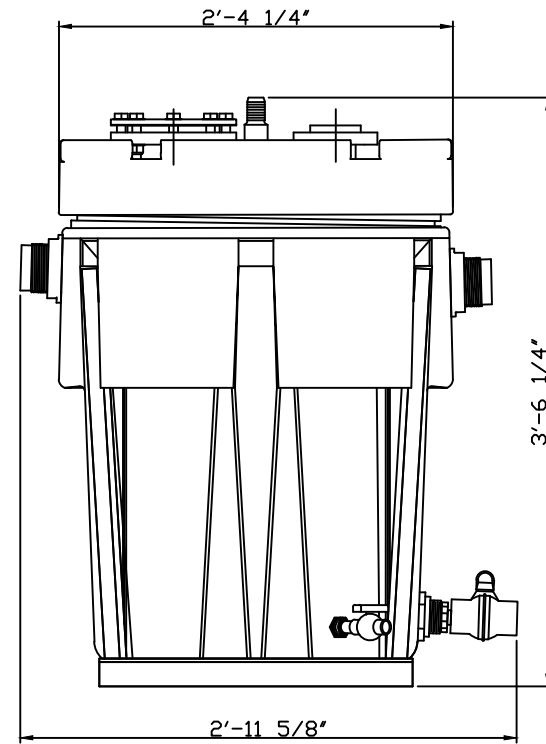
THREE PHASE DISCHARGE PUMP CONTROL CABINET  
 DIMENSIONS APPROX. - 14" TALL X 14" WIDE X 8" DEEP.  
 WEIGHT APPROX. 13 LBS.



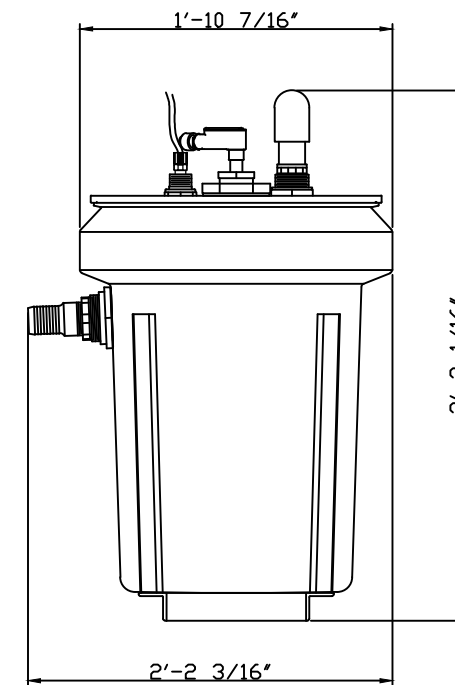
COMPLETE DISCHARGE PUMP ASS'Y  
 370E, 115/230 VOLT, SINGLE PHASE - 91-920-0656  
 370D, 208-230/460 VOLT, THREE PHASE - 91-920-0655




COMPLETE PRIMARY MEDIA TANK ASS'Y  
 65 GALLON MEDIA TANK ASS'Y  
 - 91-920-0534  
 65 GALLON MEDIA TANK ASS'Y STAND  
 - 91-231-0403  
 (4 EA) 2" X 2" X 3" TALL LEGS  
 - 91-132-0416  
 2" PVC THREADED PLUG



COMPLETE SECONDARY MEDIA TANK ASS'Y  
 65 GALLON MEDIA TANK ASS'Y  
 - 91-920-0534  
 65 GALLON MEDIA TANK ASS'Y STAND  
 - 91-231-0403  
 GASKET, 4", FULL FACE, 1/8" NEOP.  
 - 326-0072  
 FLANGE BLANK, 4", 3/8" PVC  
 - 695-0707  
 (8 ea) BOLT, 5/8"-11 X 3"  
 - 021-0079  
 (16 ea) FLAT WASHER, 5/8"  
 - 023-0074  
 (8 ea) LOCKNUT, 5/8"-11  
 - 025-0708



COMPLETE WETWELL ASS'Y  
 30 GALLON WETWELL ASS'Y  
 - 91-920-0693  
 30 GALLON WETWELL ASS'Y STAND  
 - 91-231-0403

REV	DESCRIPTION	BY	DATE
 <b>SCIENCO/FAST®</b> 200 SUN VALLEY CIRCLE FENTON, MO. 63026-4691 U.S.A. PHONE: 314-756-9300 FAX: 314-756-9306			
<small>THIS DRAWING AND INFORMATION CONTAINED THEREIN IS THE PROPERTY OF SCIENCO/FAST SYSTEMS AND IS LOANED WITH THE EXPRESSED AGREEMENT THAT IT WILL NOT BE REPRODUCED, COPIED, OR OTHERWISE DISTRIBUTED, DIRECTLY OR INDIRECTLY, AND WILL NOT BE USED IN WHOLE OR IN PART, TO FURNISH ANY INFORMATION FOR THE MANUFACTURING OF EQUIPMENT OR APPARATUS WITHOUT WRITTEN PERMISSION OF SCIENCO/FAST SYSTEMS FIRST OBTAINED AND SPECIFIC TO EACH CASE.</small>			
SYSTEM		SCIENCO/FAST MARINE/FAST	
CUSTOMER		CUSTOMER NAME HERE	
<b>TITLE</b> L3X SYSTEM DRAWING WEIGHTS AND DIMENSIONS			
SCALE	1"=1'-0"	DRAWN	SC
SIZE	N/A	CHECKED	SC
B	N/A	APPROVED	N/A
CONTRACT NO.	MODEL NO.	DRAWING NO.	SHEET NO.
		MASTER CU105	5 of 5
			1/2024
			REV