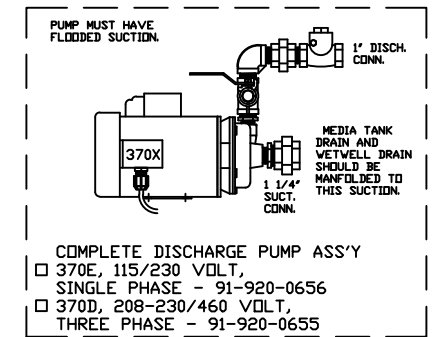
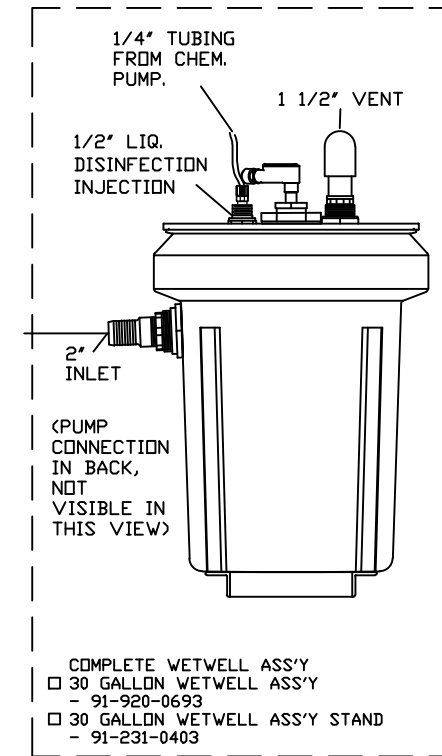
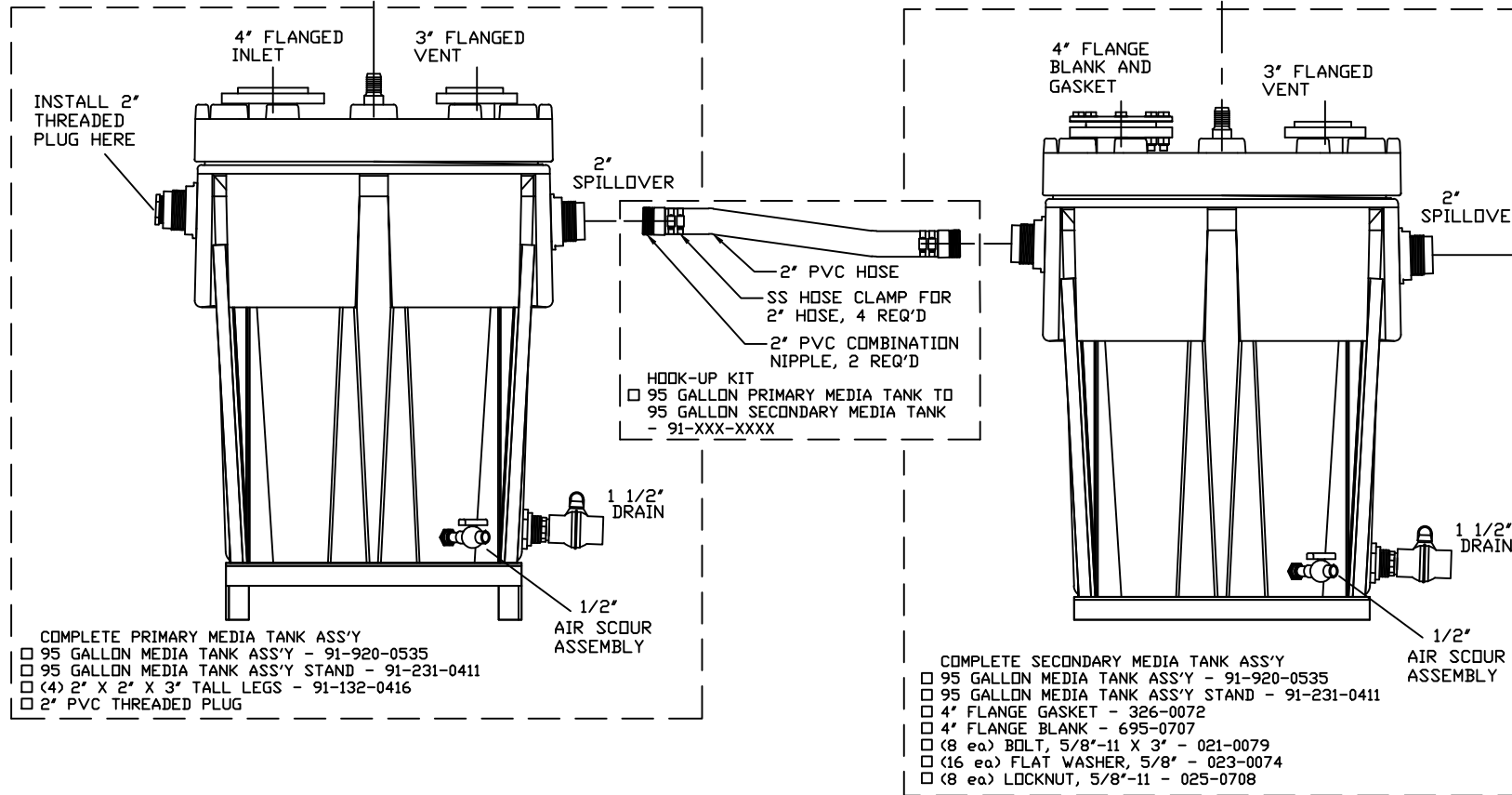
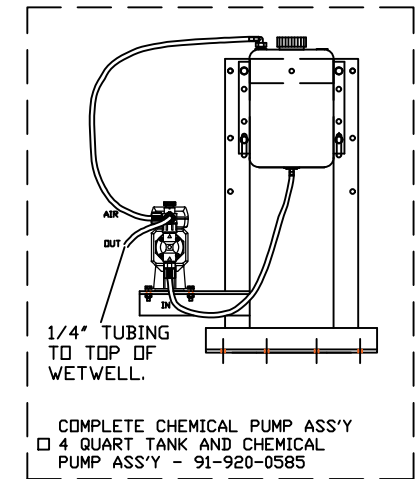


SEE PAGE 2 OF 5 FOR BILL OF MATERIALS AND PART NUMBERS.




SEE PIPING SCHEMATIC AND INSTALLATION REQUIREMENTS TO ASSURE PROPER OPERATION.

USE A HEAT GUN AND DISH SOAP TO INSTALL PVC HOSE ONTO COMBINATION NIPPLES.

HOOK-UP KITS MAY BE SHIPPED LOOSE AS UNASSEMBLED COMPONENTS.

CONTROL CABINET IS NOT SHOWN ON THIS DRAWING.

----- SCIENCO/FAST SUPPLIED COMPONENTS

REV	DESCRIPTION	BY	DATE
 <b>SCIENCO/FAST®</b> 200 SUN VALLEY CIRCLE FENTON, MO. 63026-4691 U.S.A. PHONE: 314-756-9300 FAX: 314-756-9306			
THIS DRAWING AND INFORMATION CONTAINED THEREIN IS THE PROPERTY OF SCIENCO/FAST SYSTEMS AND IS LOANED WITH THE EXPRESSED AGREEMENT THAT IT WILL NOT BE REPRODUCED, COPIED, OR OTHERWISE DISTRIBUTED, DIRECTLY OR INDIRECTLY, AND WILL NOT BE USED IN WHOLE OR IN PART, TO FURNISH ANY INFORMATION FOR THE MANUFACTURING OF EQUIPMENT OR APPARATUS WITHOUT WRITTEN PERMISSION OF SCIENCO/FAST SYSTEMS FIRST OBTAINED AND SPECIFIC TO EACH CASE.			
SYSTEM		SCIENCO/FAST MARINE/FAST	
CUSTOMER		CUSTOMER NAME HERE	
TITLE			
L4XM SYSTEM DRAWING COMPONENT ARRANGEMENT			
SCALE	DRAWN	CHECKED	APPROVED
1"=1'-0"	SC	SC	N/A
SIZE	PREV. ASSY.	PLOT SCALE	DATE
B	N/A	1:1	1/2024
CONTRACT NO.	MODEL NO.	DRAWING NO.	SHEET NO. REV
	MASTER	CU101	1 of 5