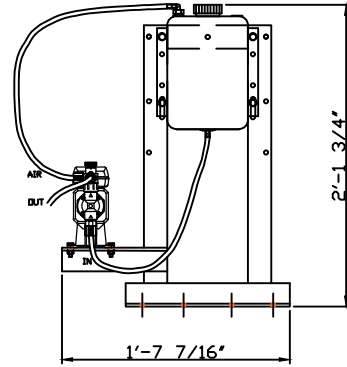
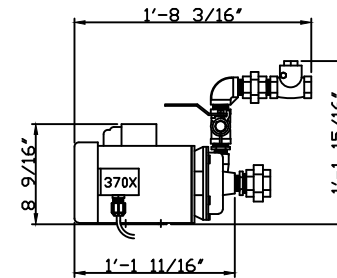


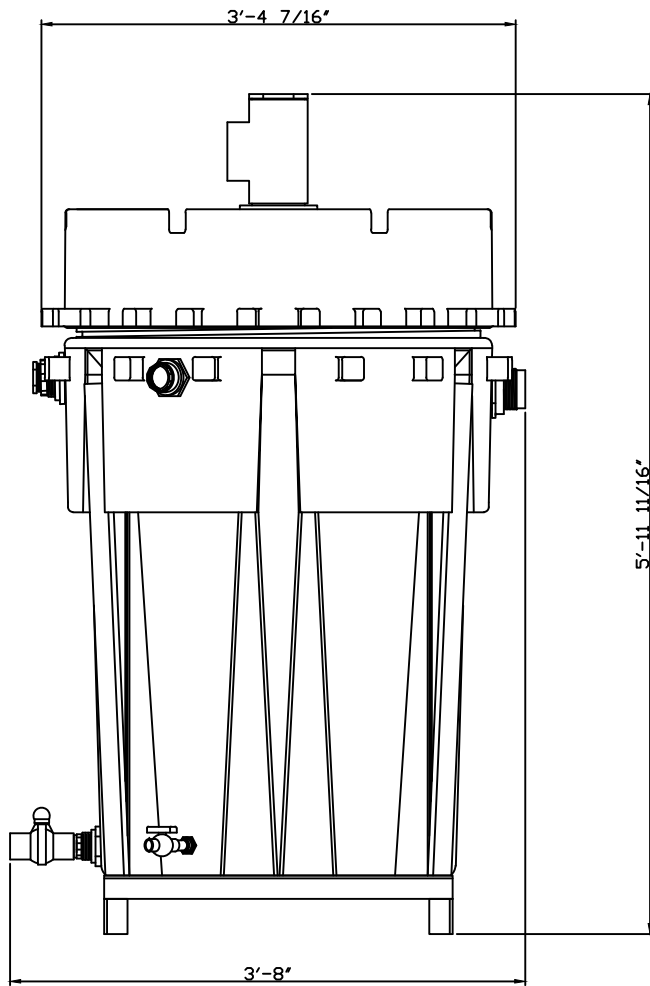
COMPLETE BLOWER ASS'Y  
 RBH3, SINGLE PHASE - 91-920-0682  
 RBH3, THREE PHASE - 91-920-0683



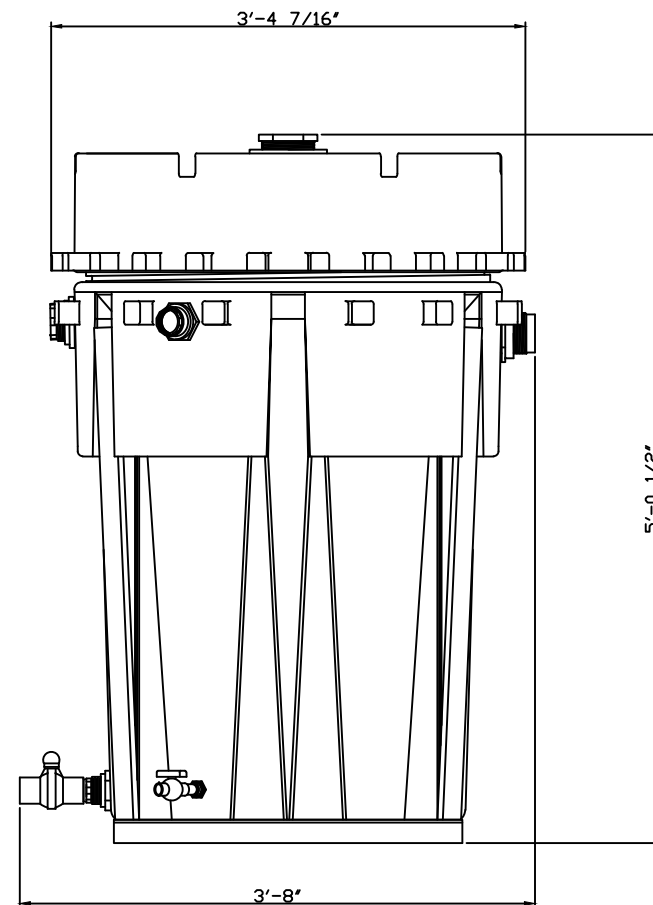
COMPLETE CHEMICAL PUMP ASS'Y  
 4 QUART TANK AND CHEMICAL PUMP ASS'Y - 91-920-0585



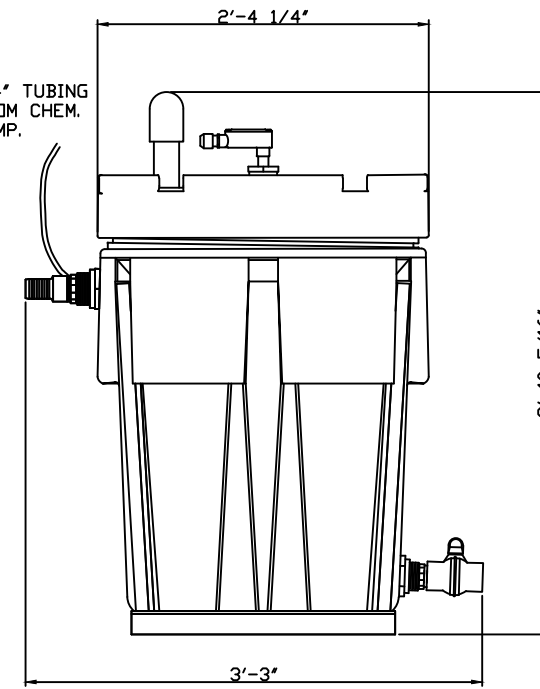
COMPLETE DISCHARGE PUMP ASS'Y  
 370E, 115/230 VOLT, SINGLE PHASE - 91-920-0656  
 370D, 208-230/460 VOLT, THREE PHASE - 91-920-0655



COMPLETE PRIMARY MEDIA TANK ASS'Y  
 180 GALLON MEDIA TANK ASS'Y - 91-920-0536  
 180 GALLON MEDIA TANK ASS'Y STAND - 91-231-0415  
 (4 EA) 3" LEGS - 91-132-0416  
 NIPPLE, 4" X 4" LONG, TDE, PVC80 - 641-0527  
 TEE, 4", SOCKET, PVC40 - 653-0424  
 BUSHING, 4" X 3", SOCKET X THREAD, PVC40 - 653-0453  
 PLUG, 2", THREADED, PVC80 - 643-0702  
 PLUG, 1 1/4", THREADED, PVC80 - 643-0533




COMPLETE SECONDARY MEDIA TANK ASS'Y  
 180 GALLON MEDIA TANK ASS'Y - 91-920-0536  
 180 GALLON MEDIA TANK ASS'Y STAND - 91-231-0415  
 BUSHING, 4" X 3", THREADED, PVC40 - 653-0703  
 PLUG, 1 1/4", THREADED, PVC80 - 643-0533



COMPLETE WETWELL ASS'Y  
 65 GALLON WETWELL ASS'Y - 91-920-0696  
 65 GALLON WETWELL ASS'Y STAND - 91-231-0408

CONTROL CABINET  
 DIMENSIONS APPROX. - 13 1/2" TALL X 13 1/2" WIDE  
 X 7" DEEP  
 WEIGHT APPROX. 15 LBS.

REV	DESCRIPTION	BY	DATE
 <b>SCIENCO/FAST®</b> 200 SUN VALLEY CIRCLE FENTON, MO. 63026-4691 U.S.A. PHONE: 314-756-9300 FAX: 314-756-9306			
<small>THIS DRAWING AND INFORMATION CONTAINED THEREIN IS THE PROPERTY OF SCIENCO/FAST SYSTEMS AND IS LOANED WITH THE EXPRESSED AGREEMENT THAT IT WILL NOT BE REPRODUCED, COPIED, OR OTHERWISE DISTRIBUTED, DIRECTLY OR INDIRECTLY, AND WILL NOT BE USED IN WHOLE OR IN PART, TO FURNISH ANY INFORMATION FOR THE MANUFACTURING OF EQUIPMENT OR APPARATUS WITHOUT WRITTEN PERMISSION OF SCIENCO/FAST SYSTEMS FIRST OBTAINED AND SPECIFIC TO EACH CASE.</small>			
SYSTEM		SCIENCO/FAST MARINE/FAST	
CUSTOMER		CUSTOMER NAME HERE	
<b>TITLE</b> L6XM SYSTEM DRAWING WEIGHTS AND DIMENSIONS			
SCALE	1"=1'-0"	DRAWN	SC
SIZE	N/A	CHECKED	SC
B	N/A	APPROVED	N/A
CONTRACT NO.	MODEL NO.	PLOT SCALE	DATE
		1:1	1/2024
	DRAWING NO.	SHEET NO.	REV
	MASTER	CU105	5 of 5